

# MICROFLEX-C

COMPACT TWO WIRE LOOP POWERED LIQUID LEVEL TRANSMITTER



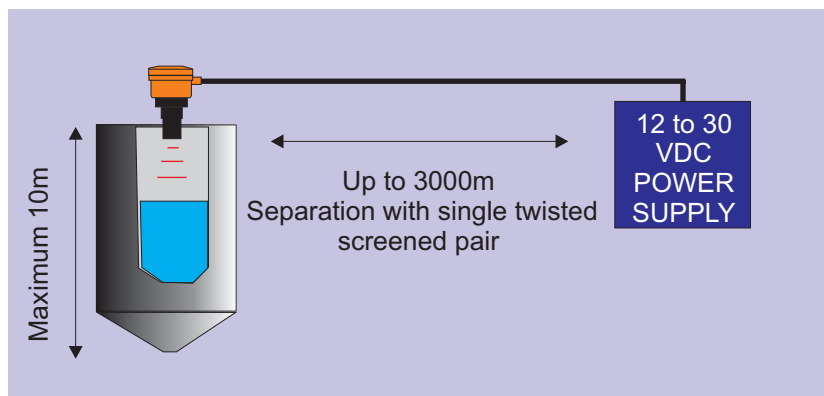
Microflex-C

## FEATURES

- ◆ Two wire loop powered
- ◆ 12 - 30 V DC
- ◆ IP 67 housing
- ◆ Compact size
- ◆ PVDF wetted parts
- ◆ False echo rejection
- ◆ 2" BSPT process connection

## BENEFITS

- ◆ Low cost
- ◆ Simple to program
- ◆ Ease of installation
- ◆ Proven performance
- ◆ Total cost of ownership



## SIMPLICITY

The compact construction coupled with integral LCD display, three push buttons under the lid for security, and just eight parameters to set means that MICROFLEX-C is probably the simplest level transmitter on the market to calibrate and use.

## CHOICE

MICROFLEX-C can be configured for either level or distance in meters, feet or a percentage of span. Empty distance and span can be entered in real values, anywhere within the instruments range.

## SPEED

Conventional loop powered ultrasonic level transmitters are generally slow to respond to changing levels and care needs to be taken when considering their use. MICROFLEX-C can track level changes as fast as 10 meters per minute, without risk of losing signal.

## APPLICATION

ATEX hazardous area approved units are available for use in Zone Zero environments. The transducer is manufactured in PVDF and is ideal for use in corrosive applications.

## PROVEN PERFORMANCE

Using a combination of unique echo extraction routines, which have proven so successful in thousands of ultrasonic level measuring instruments supplied world wide, we can ensure that MICROFLEX-C will provide the level of performance expected from one of the leaders in ultrasonic level technology.

## FALSE ECHO REJECTION

This is further enhanced by using the selectable FER function which enables the instrument to identify two fixed obstructions within the path of the Ultrasonic beam, memorise their position and ignore them during the measuring process.

# MICROFLEX-C

## TECHNICAL DATA SHEET

### SPECIFICATION

**Functionality**  
**Measuring Range**  
**Environmental protection**  
**Housing material**  
**Power supply**  
  
**Analogue output**  
**Load impedance**  
**Communication Protocol**  
**Relay outputs**  
**Display**  
**Electrical entry**  
**Transducer material**  
**Process connection**  
**Resolution**  
**Accuracy (of measured range)**  
  
**Damping**  
**Ambient temperature**  
**Operating temperature**  
**Operating pressure (max)**  
  
**Beam angle**  
**Electromagnetic compatibility**  
**Maximum cable run**  
**Cable specification**  
**Weight**  
**Hazardous Area Approval**

### MICROFLEX-C

Level or Distance  
 0.3m to 8m/1ft to 26ft  
 IP67 - NEMA 4  
 Glass Filled Nylon (GFN)  
 12 to 30 V DC -  
 Loop powered  
 4-20mA  
 Maximum 750 Ohms  
 -  
 -  
 Integral four digit LCD  
 2 x M20 x 1.5mm  
 PVDF  
 2" BSPT / NPT  
 Better than 1mm / 1/16"  
 <1.0m +/- 5mm.  
 > 1.0m +/- 0.5% \*  
 1- 99 seconds  
 -20°C to 70°C / -40°F to 158°F  
 -20°C to 70°C / -40°F to 145°F  
 -0.25 to 3 bar /  
 -3.6psi to 43psi max (20°C)  
 +/- 6 degrees (3db)  
 EN50081-1 & EN50082-2  
 3000m / 1.86 miles  
 Single twisted screened pair  
 850g / 2 lbs  
 -

### MICROFLEX-C ER

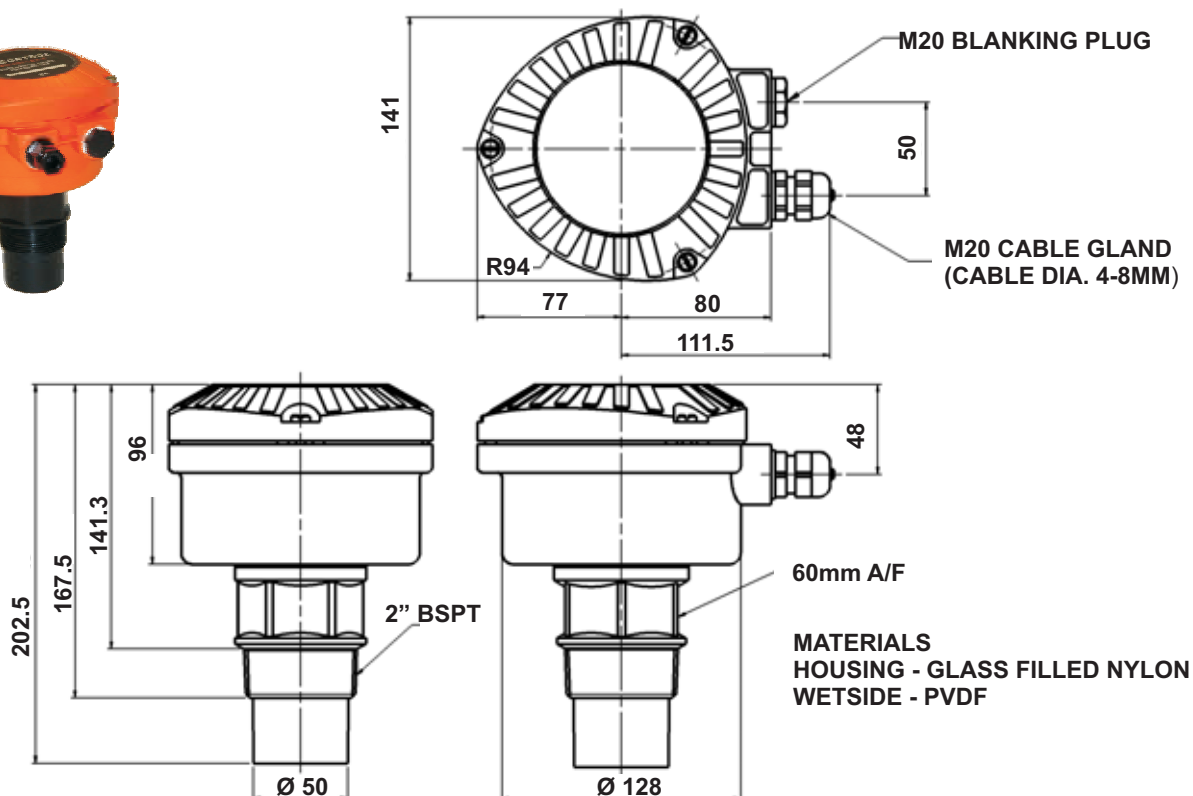
Level, Distance, Volume, Flow  
 0.45m to 11m / 1.5ft to 36ft  
 IP67 NEMA 4  
 Glass Filled Nylon (GFN)  
 12 to 30 V DC -  
 Loop powered  
 4-20mA  
 Maximum 750 Ohms  
 HART  
 2 x SPST 1A @ 24 VDC  
 Integral four digit LCD  
 2 x M20 x 1.5mm  
 PVDF  
 2" BSPT / NPT  
 Better than 1mm / 1/16"  
 <1.0m +/- 2.5mm.  
 > 1.0m/3.3ft +/- 0.25% \*  
 1- 99 seconds  
 -40°C to 60°C / -40°F to 140°F  
 -30°C to 70°C / -22°F to 158°F  
 -0.25 to 3 bar /  
 -3.6psi to 43psi max (20°C)  
 +/- 6 degrees (3db)  
 EN50081-1 & EN50082-2  
 3000m / 1.86 miles  
 Single twisted screened pair  
 850g / 2 lbs  
 -

### MICROFLEX-C IS

Level, Distance, Volume, Flow  
 0.45m to 11m / 1.5ft to 36ft  
 IP67 NEMA 4  
 Glass Filled Nylon (GFN)  
 12 to 30 V DC -  
 Loop powered  
 4-20mA  
 Maximum 750 Ohms  
 HART  
 -  
 Integral four digit LCD  
 2 x M20 x 1.5mm  
 PVDF  
 2" BSPT / NPT  
 Better than 1mm / 1/16"  
 <1.0m +/- 2.5mm.  
 > 1.0m/3.3ft +/- 0.25% \*  
 1- 99 seconds  
 -40°C to 60°C / -40°F to 140°F  
 -30°C to 70°C / -22°F to 158°F  
 -0.25 to 3 bar /  
 -3.6psi to 43psi max (20°C)  
 +/- 6 degrees (3db)  
 EN50081-1 & EN50082-2  
 3000m / 1.86 miles  
 Single twisted screened pair  
 850g / 2 lbs  
 ATEX II 1 G EExia II T6  
 Intrinsically Safe Zone 0

\* Accuracy is measured as a % of the measured distance

Hycontrol's policy is one of continuous development, consequently the right is reserved to modify these specifications without notice.



Hycontrol Ltd., Larchwood House, Orchard Street, Redditch, Worcestershire, B98 7DP, U.K.

Tel: + 44 (0)1527 406800 Fax: + 44 (0)1527 406810 E-mail:sales@hycontrol.com Website: www.hycontrol.com