

SONARFLEX TECHNICAL DATA SHEET

SONARFLEX TRANSMITTER



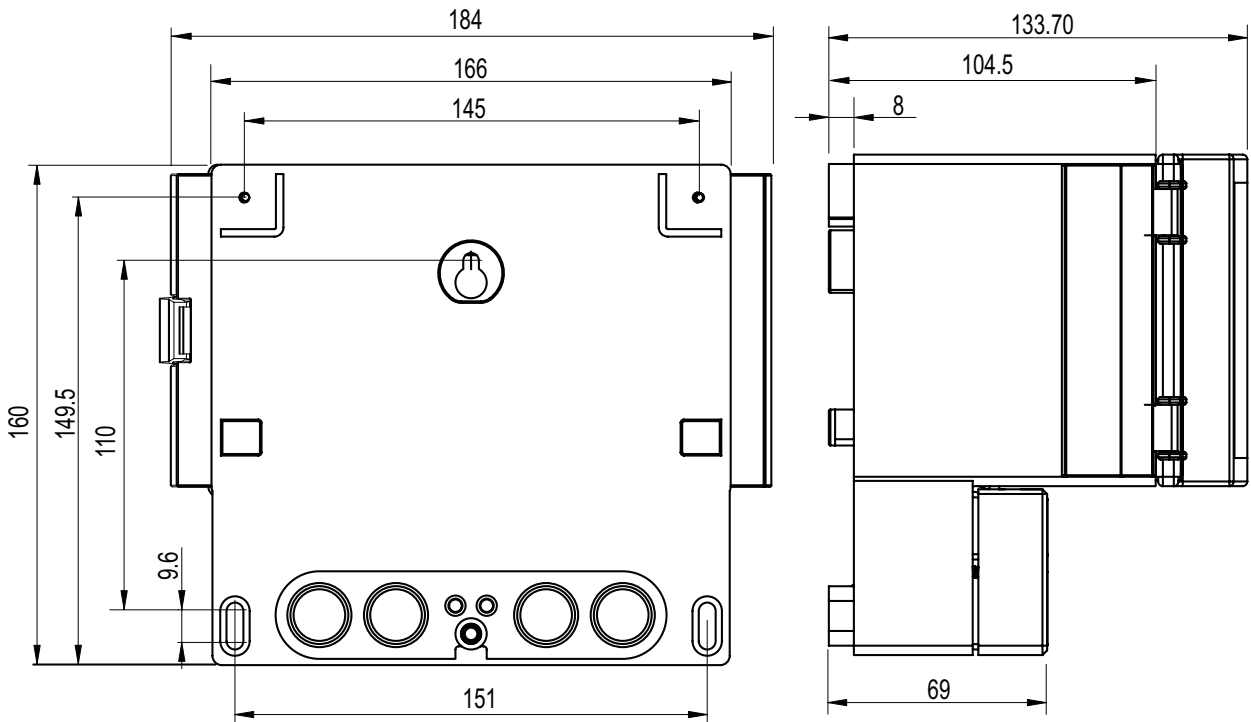
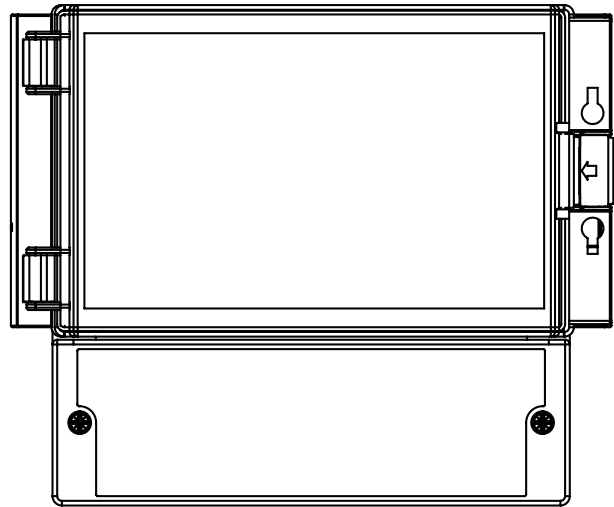
Instrument Type	: Sonarflex 2DC - 2 wire Loop Powered
	: Sonarflex 234 - 234 wire ac/dc
Measurement range	: 0 to 30 meters (60 meter option)
Minimum Density range	: <100mg/l
Accuracy	: ±0.25% of span
Temperature	: -20 °C to +70 °C
Display	: 2 x 8 digit LCD display
Echo processing	: Advanced Hycontrol algorithms
Outputs	: 2 x Analogue 4-20mA (Isolated) max 60 ohms : Relays: 3 x S.P.D.T. 0.5Amp : Power driver for Auto scum cleaner : Modbus, Profibus, RS485 Comms
Diagnostics	: Full operational diagnostics display
Sealing	: IP65
Options	: Reduced blanking distances : Sun hood
Voltage	: 90 - 260vac / 24vdc
Approval Options	: Sonarflex 2DC is ATEX EEx ia

RVS TRANSDUCER & CLEANING MECHANISM

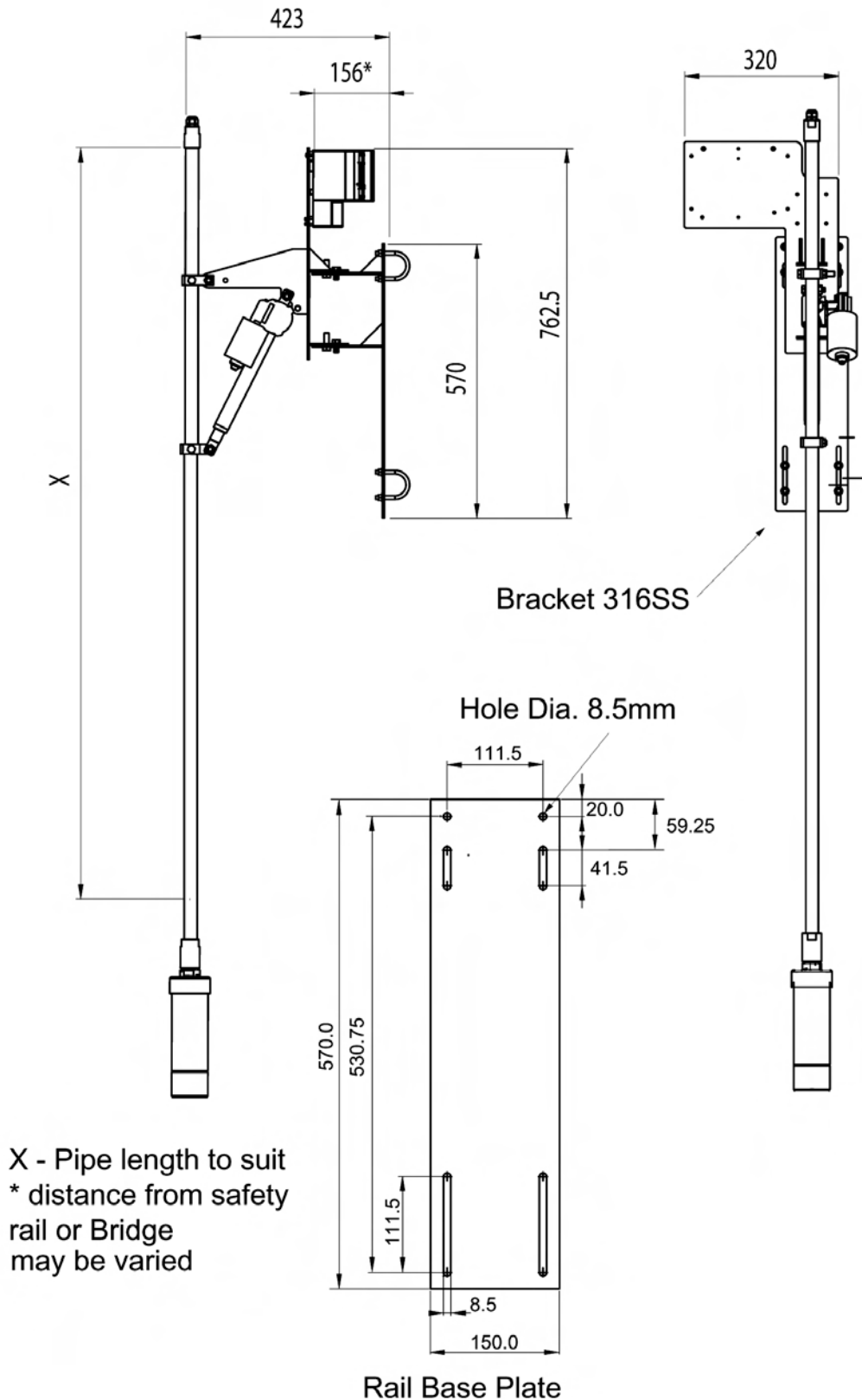


Transducer selection	: See Sonar Transducer selection guidelines RVS001 – 70kHz RVS002 – 150 kHz RVS003 – 300 kHz RVS004 – 450 kHz RVS007 – 30 kHz
Housing	: Polypropylene, PVDF (Kynar), Teflon and PVC
Sealing	: IP68 (Fully encapsulated)
Special Blanking	: 150mm minimum
Temperature Sensor	: Internal (max. 70 °C Standard) high temperature : 150 °C with external pre-amp
Mounting	: 1.00 inch BSP/NPT nipple
Cable	: Belden 3084A
Weight	: 3.5kg
Approval Options	: ATEX EEx ia when connected to Sonarflex 2DC. or ATEX EExm
AUTO CLEANER	
Construction	: Stainless Steel
Mounting	: Base mount x 4 holes (See drawing)
Actuator	: Electric 24Vdc : Pneumatic Contact factory
Weight	: 5Kg

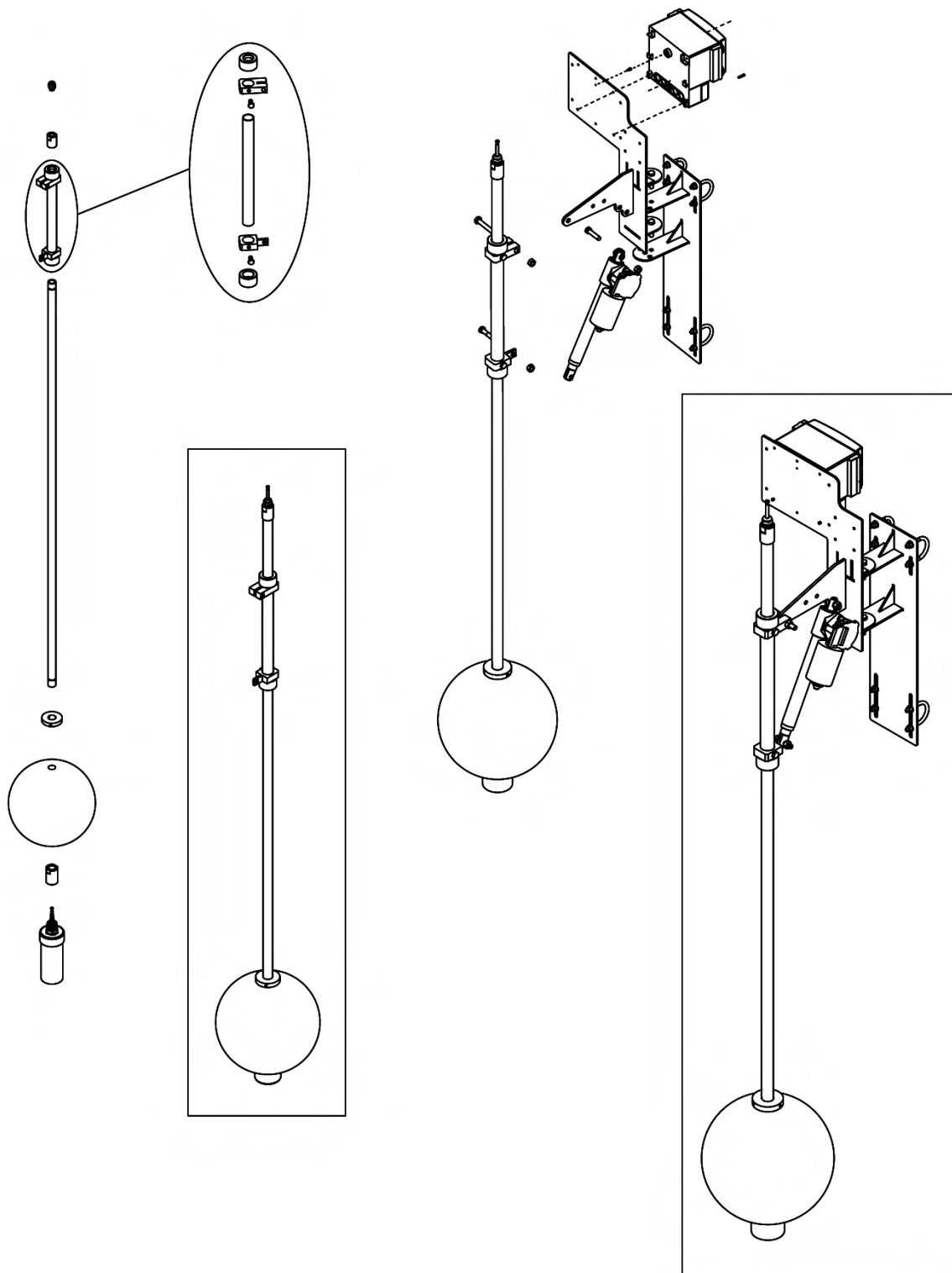
TRANSMITTER BOX



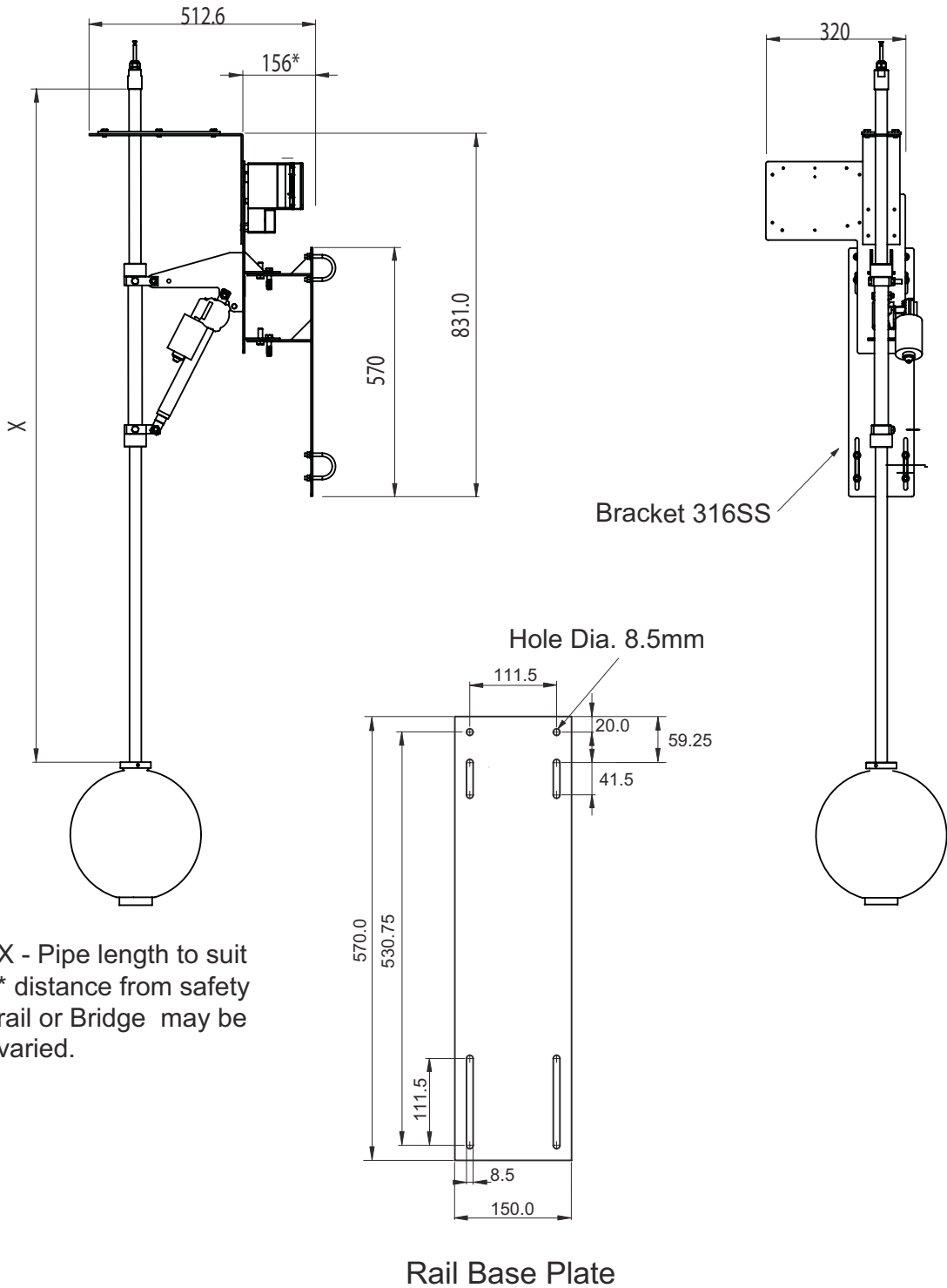
ACTUATOR CLEANER



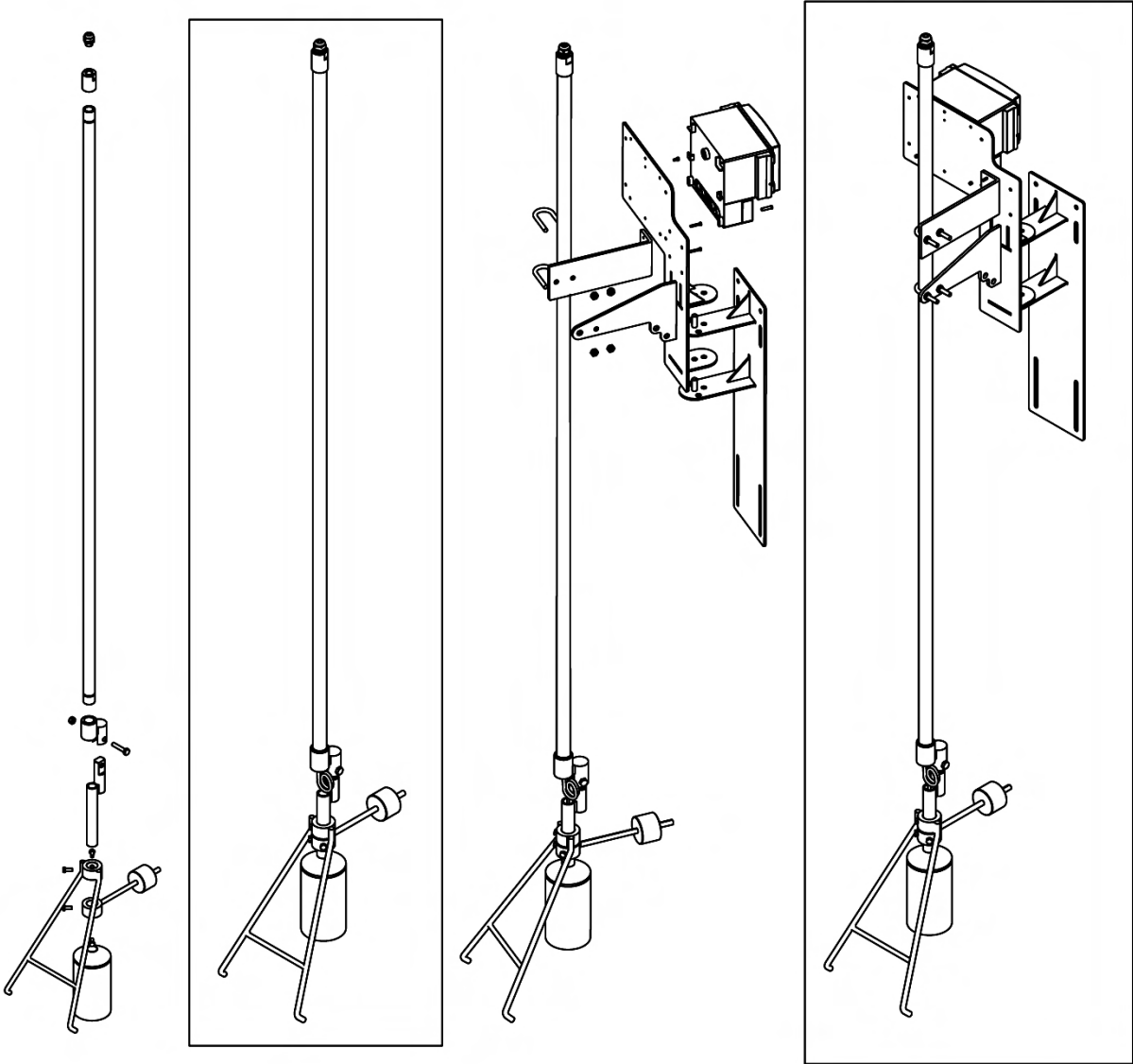
FLOATING SONAR ASSEMBLY



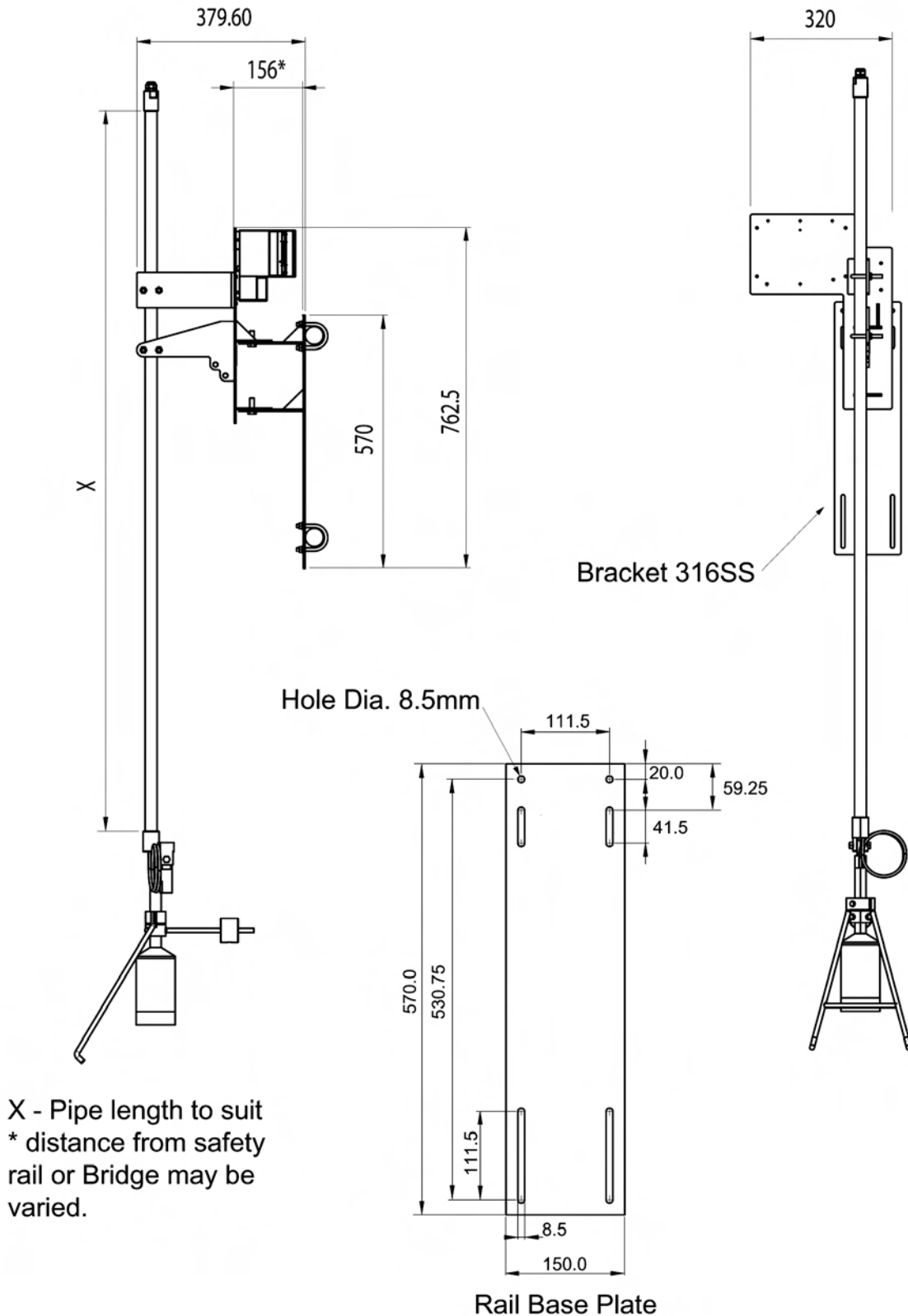
FLOATING SONAR DIMENSIONS



IMPACT PLATE ASSEMBLY



IMPACT PLATE DIMENSIONS



SONARFLEX TECHNICAL DATA SHEET

RVS Series Transducer

Model	Sonarflex Ultrasonic Sludge Blanket Level Transducer					
RVS						
	Type					
	1	70Khz	% Solids > 8%	450mm	Blanking	
	2	150Khz	% Solids 5 ~ 8%	450mm	Blanking	
	3	300Khz	% Solids 2 ~ 5%	450mm	Blanking	
	4	450Khz	% Solids 1 ~ 2%	450mm	Blanking	
	5	700Khz	% Solids <1%	600mm	Blanking	
	7	30Khz	% Solids	600mm	Blanking	
	Mounting Extention Pipe					
	2	2 Meters				
	3	3 Meters				
	X	Not Required				
	Transducer Housing Material					
	4	Polypropylene				
	44	Full Polypropylene				
	6	Full Teflon				
	Z	Special				
	Automatic Scum Cleaner					
	A	24VDC Electric Actuator				
	B	Pneumatic Actuator (Consult Hycontrol)				
	C	Rotary Scum Brush Cleaner				
	D	24VDC Electric Actuator + Floating Transducer				
	E	Impact Plate				
	X	Not Required				
	High Temperature					
	H	High Temperature 110°C				
	X	Not Required				
	Approval Standard					
	A	ATEX EExia Zone Zero				
	S	ATEX EExm Zone One				
	X	Not Required				
	Connection IP68					
	C	6m Integral cable				
	C15	15m Integral cable				
	C30	30m Integral cable				
	C50	50m Integral cable				
RVS						

SONARFLEX TECHNICAL DATA SHEET

SONARFLEX Ultrasonic Controller

Model	Sonarflex Ultrasonic Sludge Blanket Level Controller				
SBL					
	Power Supply				
	B	24 VDC	2 wire loop powered		
	D	90-250VAC and 24VDC	2 3 & 4 Wire		
		Outputs	Three relays as standard		
		X	4-20mA + Modbus		
		Y	2 x 4-20mA + Modbus		
		I	HART Isolated 4 wire		
		W	Modbus		
		DP	Profibus DP*		
		E	Ethernet		
		D	Devicenet		
		Z	Special Request		
			External Hycontrol GSM Link		
		X	Not Required		
		G2	GSM Frequency 800/1900 MHz/19200 Baud for USA,Canada		
		G4	GSM Frequency 900/1800 MHz/19200 Baud for Australia,Europe		
			External Radio Link		
		X	Not Required		
		R1	USA,Canada		
		R2	Australia, Europe		
		R3	Japan		
		R4	China		
			Mounting Accessories		
		X	Not Required		
		SH	Stainless Steel Sunhood		
SBL					