

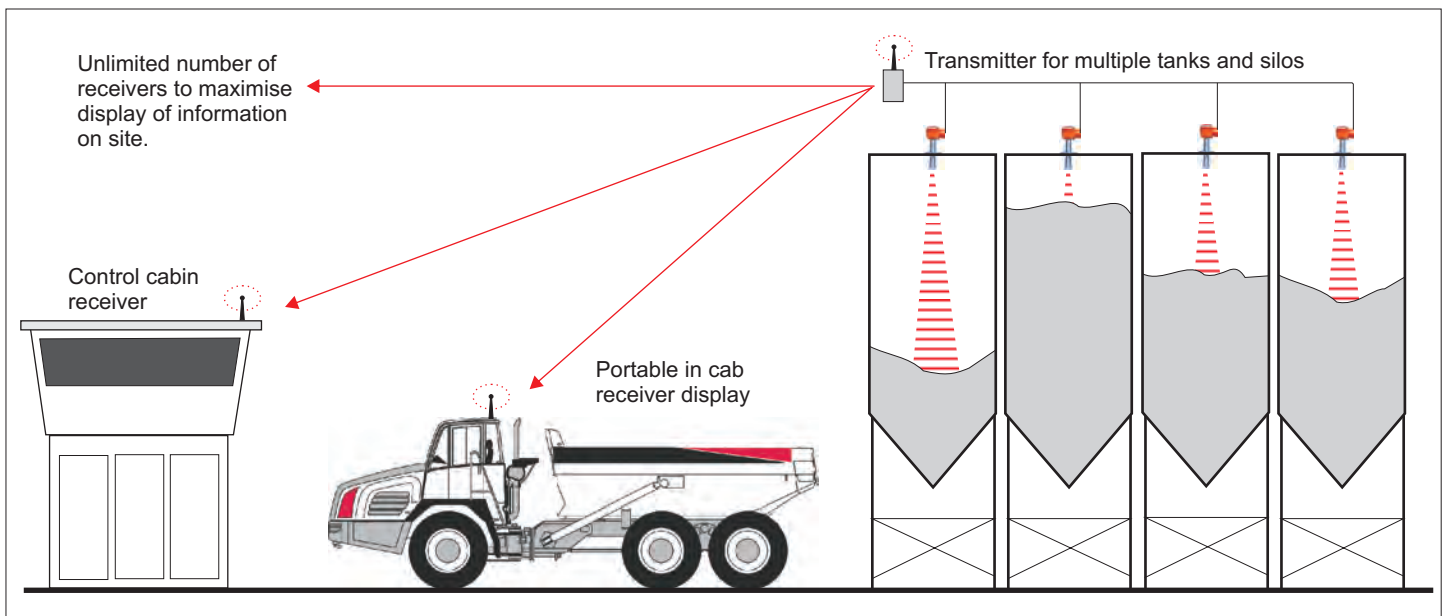
WIRELESS LEVEL MEASUREMENT SOLUTIONS



Hycontrol supply a wide range of level measuring technologies for many extreme applications in difficult and hostile environments but Hycontrol's capability does not just end with the measuring instrument itself. Instruments that are installed in areas where data communication cables are either not present, not suitable or just too costly to install, can now be easily accessed.

Wireless technology has been available for many years, albeit at a price, but now Hycontrol have introduced a new generation of low cost systems to satisfy both fixed and mobile applications. The system consists of a transmitter, that can be connected to up to six sensors (will accept any 4-20mA input) and one or more receiver stations. The transmitters are mains powered and permanently installed but the receivers can be either battery operated portable devices or fixed point output versions. The portable unit can display up to six different inputs in either bar graph format or numeric display values.

- **REDUCE INSTALLATION TIME & SITE COSTS**
- **SIMPLIFY INSTALLATION WITH REDUCED CABLING**
- **MAXIMUM FLEXIBILITY WITH PORTABLE INFORMATION**
- **EASY TO OPERATE AND UNDERSTAND WITH CLEAR BARGRAPH / NUMERIC DISPLAY INFORMATION**
- **LONG RANGE BETWEEN TRANSMITTER AND RECEIVER STATIONS**
- **LICENCE FREE DATA TRANSFER**
- **INDUSTRY STANDARD PROCESS INPUT 4-20MA SIGNAL**
- **PORTABLE AND FIXED RECEIVER OPTIONS**





RADAR & TDR LEVEL MEASUREMENT



ULTRASONIC LEVEL MEASUREMENT



VIBRATING PROBE LEVEL SWITCHES



CAPACITANCE LEVEL SWITCHES



ADMITTANCE LEVEL PROBES



ROTARY PADDLE LEVEL SWITCHES

SPECIFICATION

Transmitter (fixed installation)

Power supply : 110-230VAC 50Hz selectable
 Inputs (std) : 6 x 4-20mA (option to increase available)
 Radio frequency : 434MHz (licence exempt)
 Output supply : 24VDC supply to power simple transmitters
 Temperature Range : -20°C to +60°C
 Enclosure : Metal IP65 epoxy painted
 Range : Typically 250m (500m range available)

Transceiver (fixed installation)

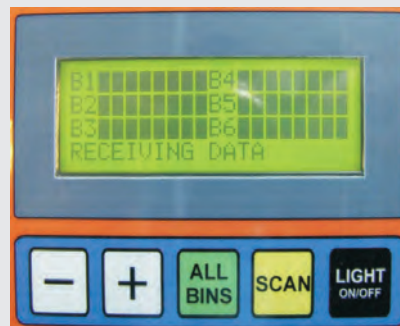
Power supply : 110-230VAC 50Hz selectable
 Outputs (std) : 6 x 0-10volts (option to increase available)
 Radio frequency : 434MHz (licence exempt)
 Temperature Range : -20°C to +60°C
 Enclosure : Metal IP65 epoxy painted

Transceiver (portable installation)

Power supply : 12-24VDC via mains charger or in-car charger
 Battery : 8.4v NiMh rechargeable PP3
 Display : Backlit LCD Multi-line display
 Radio frequency : 434MHz (licence exempt)
 Temperature Range : -10°C to +60°C
 Enclosure : Metal IP55 aluminium painted



TYPICAL SCREEN SHOTS FROM HAND HELD PORTABLE RADIO RECEIVER



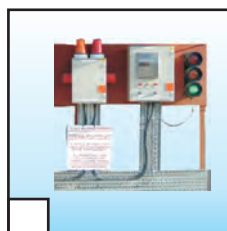
This display shows a summary of all six bins in multiple scanning mode, providing a quick view to see which bins are full or empty. Useful on applications such as quarry screen houses or multiple bins which fill and empty slowly.



This display shows a single monitoring point in bar graph format. In this mode the operator can select the bin he wants to monitor by a simple button press and has the option to manually scroll through each bin, one at a time.



REMOTE INTERNET LEVEL MONITORING



INDUSTRY DESIGNED SAFETY SYSTEMS



SILO PROTECTION & LEVEL CONTROL



SLUDGE BLANKET & INTERFACE LEVELS

FOR MORE INFORMATION TICK CORNER BOX AND FAX BACK TO: 01527 406810

Company: _____ Name: _____

Address: _____

Tel No: _____ Fax No: _____

Hycontrol Ltd., Orchard Street, Redditch, Worcestershire, B98 7DP. Tel:01527 406800 Fax:01527 406810 Email:sales@hycontrol.com Web:www.hycontrol.com